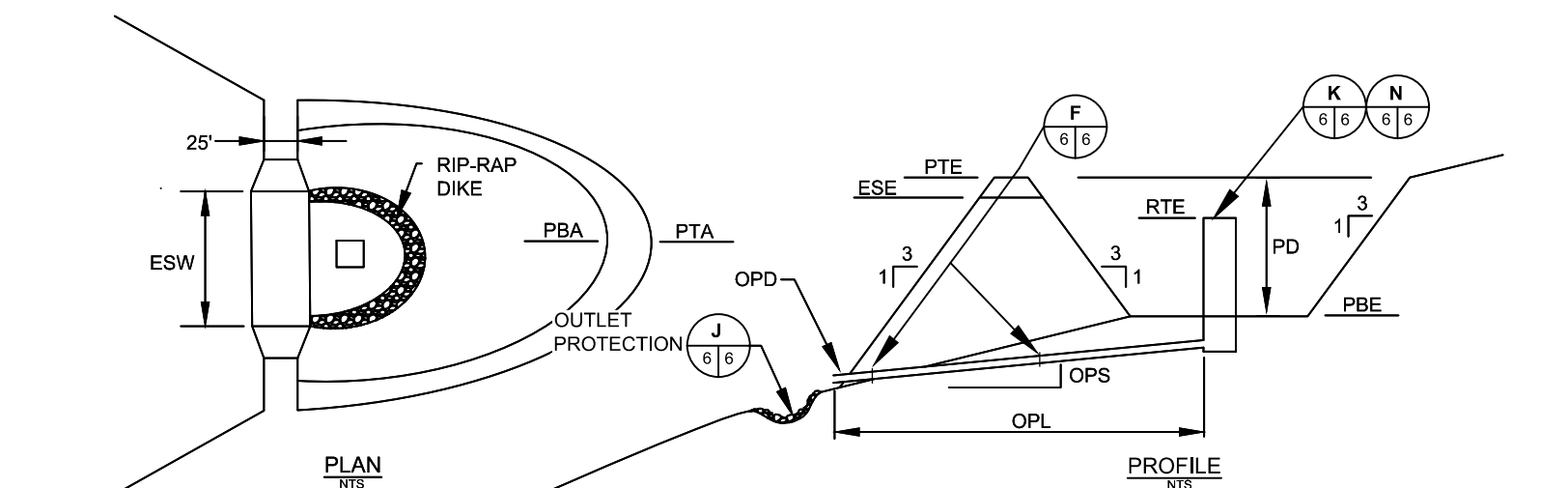


TYPICAL OVERBURDEN PILE CONSTRUCTION SECTION A
NOT TO SCALE
C05 C06



ABBREVIATIONS

PTE POND TOP ELEVATION
ESE EMERGENCY SPILLWAY ELEVATION
RTE RISER TOP ELEVATION
PD POND DEPTH
PBE POND BOTTOM ELEVATION
ESW EMERGENCY SPILLWAY WIDTH
PBA POND BOTTOM AREA
PTA POND TOP AREA
OPL OUTLET PIPE LENGTH
OPS OUTLET PIPE SLOPE
OPD OUTLET PIPE DIAMETER

	POND 1	POND 2
PTE	96.0'	96.0'
ESE	95.0'	95.0'
RTE	93.5'	93.5'
PD	7'	10'
PBE	89.0'	85.0'
ESW	10'	10'
PBA	1.091 ac	0.793 ac
PTA	3.505 ac	3.209 ac
OPL	75'	100'
OPS	0.013	0.020
OPD	24"	24"

RISERS

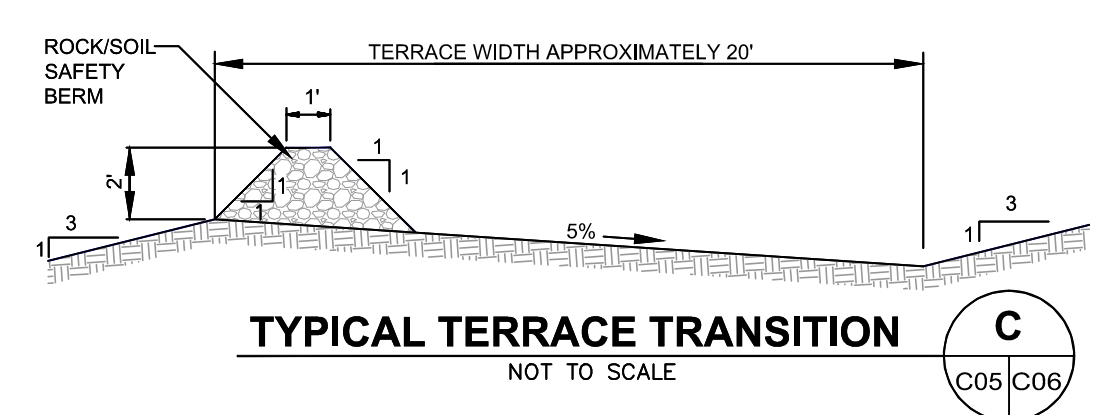
1
90.0' 8" SKIMMER
NOTE: 2 - 8" SKIMMERS AT 90.0'

2
87.0' 8" SKIMMER
NOTE: 2 - 8" SKIMMERS AT 87.0'

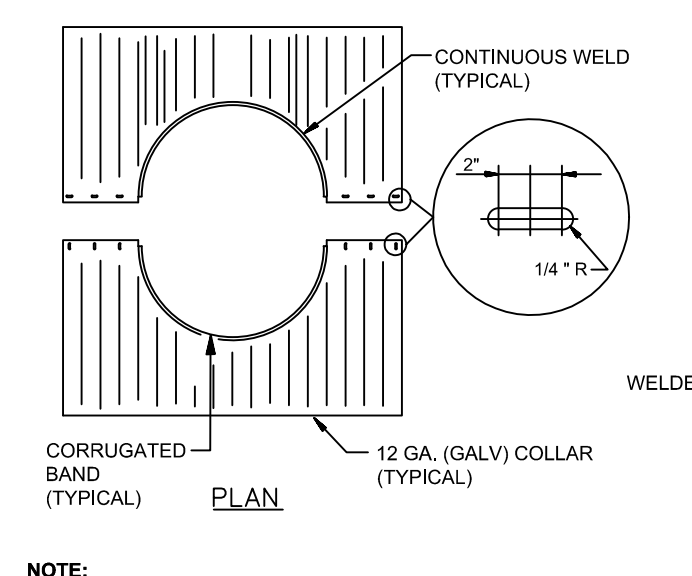
NOTES:

1. PONDS 1 AND 2 WILL BE LEFT AS PERMANENT DETENTION PONDS. THE SKIMMERS WILL BE REMOVED AND THE HOLES PATCHED. REFER TO THE TABLE BELOW FOR ORIFICE SIZES AND ELEVATIONS FOR THE STORM RISERS.

	DETENTION PONDS	
	1	2
ORIFICE SIZE AND CORRESPONDING ELEVATION	8 IN AT 89.5 FT	8 IN AT 86.5 FT
ORIFICE SIZE AND CORRESPONDING ELEVATION	6-IN AT 90.75 FT	6-IN AT 88.5 FT



TYPICAL TERRACE TRANSITION C
NOT TO SCALE
C05 C06



TYPICAL ANTI-SEEP COLLAR DETAIL F
NOT TO SCALE
C05 C06

Permanent Seeding - Upstate

Species	Lbs/ac	Jan	Feb	Mar	Apr	May	Jun	Jul	Aug	Sep	Oct	Nov	Dec
Bahia Grass (Alone)	40												
Bahia Grass (Mix)	30												
Bermuda Grass (hulled) (Alone)	8-12												
Bermuda Grass (hulled) (Mix)	4-6												
Fescue, Tall (KY31) Alone	40												
Fescue, Tall (KY31) mix	20												
Secirca Lespedeza (Scarfield) Alone or Mix (inoculate with EL Inoculant)	40												
Ladino Clover (mix only)	2												
Inoculant with AB Inoculant	2												

For Steep Slopes/Cut Slopes

Weeping Lovegrass (Alone)	4												
Weeping Lovegrass (Mix)	2												
Crownvetch (Mix) (Inoculate with Type M Inoculant)	8-10												

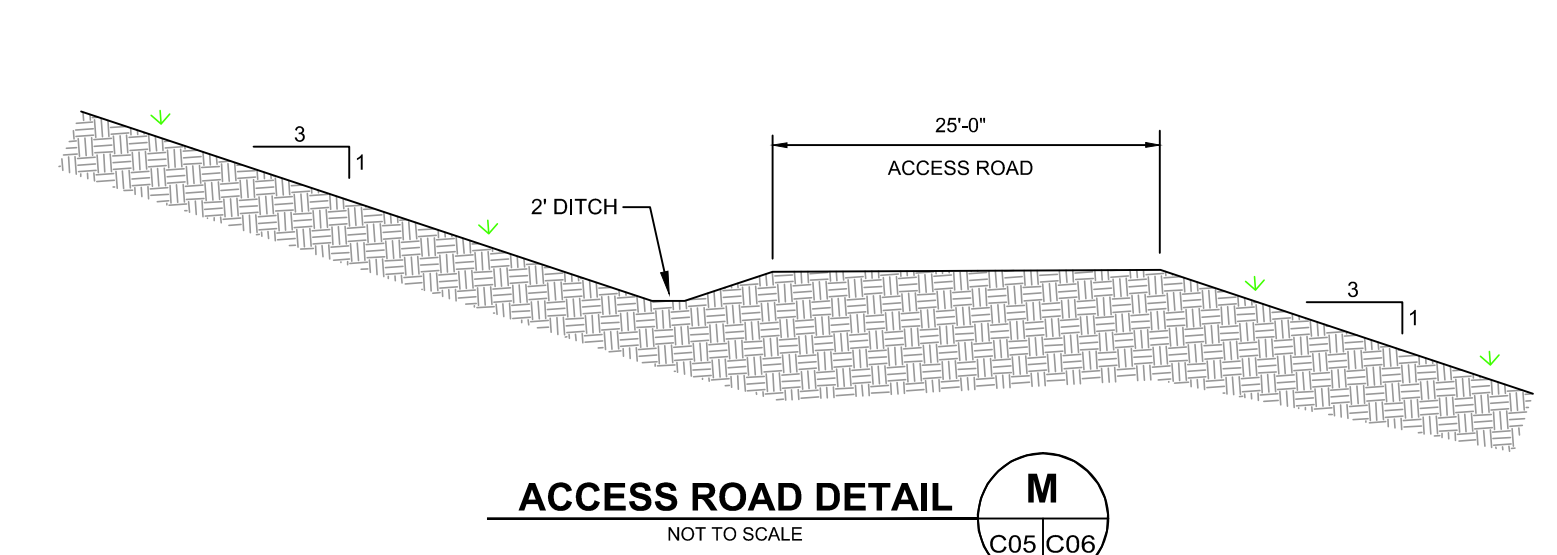
Temporary Seeding - Upstate

Species	Lbs/ac	Jan	Feb	Mar	Apr	May	Jun	Jul	Aug	Sep	Oct	Nov	Dec
Browntop Millet (Alone)	40												
Browntop Millet (Mix)	10												
Rye Grain (Alone)	56												
Rye Grain (Mix)	10												
Rye Grass (Alone)	50												
Rye Grass (Mix)	8												

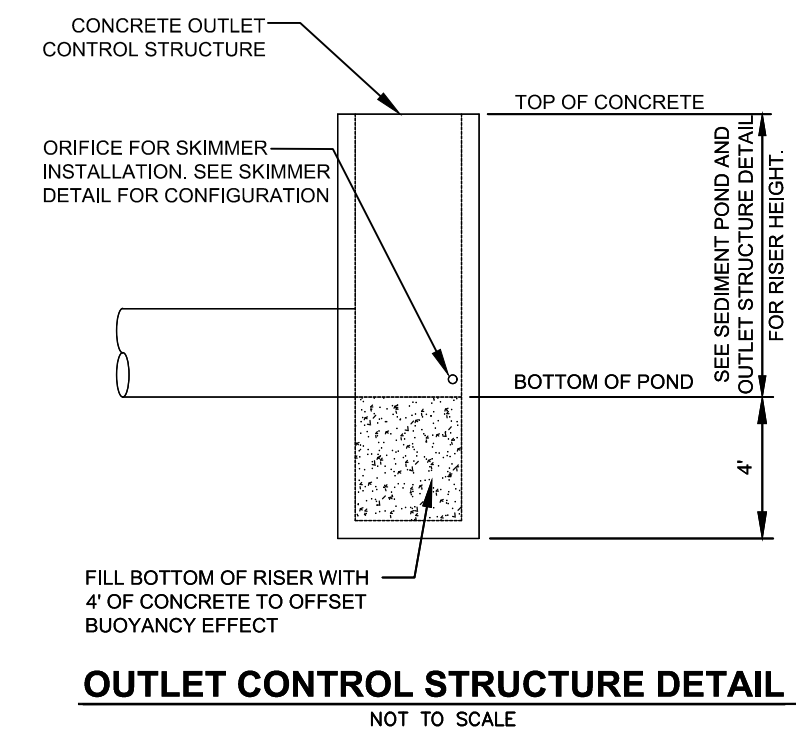
For Steep Slopes/Cut Slopes

Weeping Lovegrass (Alone)	4												
Weeping Lovegrass (Mix)	2												

PLANTING SCHEDULE L
NOT TO SCALE
C05 C06



ACCESS ROAD DETAIL M
NOT TO SCALE
C05 C06



OUTLET CONTROL STRUCTURE DETAIL K
NOT TO SCALE
C05 C06

8" Faircloth Skimmer® Cut Sheet
J. W. Faircloth & Son, Inc.
www.fairclothskimmer.com

8" Faircloth Skimmer® Cut Sheet
J. W. Faircloth & Son, Inc.
www.fairclothskimmer.com

Skimmer shown in floating position

8" Coupling
8" bushing
6" Sch 80 female adaptor
12" of 6" pipe INCLUDED¹

8" PVC float

2" Vent with 90° elbow and PURPLE tip

Aluminum straps suspending horizontal intake⁵

60" 2"

60" 2"

8" Orifice/ Inlet⁴

Orifice PLATE for inlet

6" Sch 40 SOLID PVC barrel or "arm" SUPPLIED BY USER³

6" hose, clamps 6" threaded male nipple on outlet end¹

8" inlet extension⁴

6" HEAD (distance from center of orifice/inlet to water surface)

Part # 5,820,751

8inchCut.5-1-19

© J. W. Faircloth & Son, Inc. 2019

GENERAL NOTES:

1. Hose can be attached to outlet using the threaded 6" nipple. Typical methods used: a) a metal structure with a steel stub out welded on the side at the bottom with a 6" threaded coupling or reducer(s); b) a concrete structure with a hole or orifice at the bottom - use a steel plate with a hole and coupling welded to it that will fit over the hole in the concrete and bolted to the structure with sealant.
2. Dimensions are approximate, not intended as plans for construction.
3. Barrel (solid, not foam core pipe) should be 1.4 times the depth of water with a minimum length of 8' so the inlet can be pulled to the side for maintenance. If more than 12' long, weight may have to be added to inlet to counter the increased buoyancy.
4. Orifice/inlet tapers down from 8" maximum inlet to a 6" barrel and hose. Barrel is smaller to reduce buoyancy and tendency to lift inlet but is sufficient for flow through inlet because of slope. The orifice/inlet can be reduced using the plate and cutter provided to control the outflow rate - see #6.
5. Horizontal intake is 12" pipe between the straps with slots cut in the inlet and aluminum screen door (smaller than shown in illustration) for access to the inlet and orifice inside.
6. Ships assembled. User glues inlet extension and barrel, installs vent, cuts orifice in plate and attaches to outlet pipe or structure. Includes float, flexible hose, rope, orifice plate and cutter. Does NOT include 6" Sch 40 SOLID PVC barrel or "arm" SUPPLIED BY USER.
7. Capacity: 97,978 cubic feet per day maximum with 8" inlet and 6" head. Inlet can be reduced by installing a smaller orifice using the plate and cutter provided to adjust flow rate for the particular drawdown time required. Please use the sizing template at www.fairclothskimmer.com.
8. Shipped in cardboard box on pallet. Shipping weight approximately 365 lbs, dimension 61"x44"x57".

SEDIMENT POND AND OUTLET STRUCTURE DETAIL E
NOT TO SCALE
C05 C06

SPACING BETWEEN DITCH CHECK

L = THE DISTANCE SUCH THAT POINTS A & B ARE OF EQUAL ELEVATION

CROSS SECTION A-A THRU STONE DITCH CHECK

12-INCH D50 RIPRAP, 1-FT. MIN. OVERFLOW WEIR, PLACE STONE OVER CHANNEL BANKS, TOP OF BANK, 0.5-FT. MIN., 2-FT. MAX. AT CENTER, CHANNEL BOTTOM WIDTH, NON-WOVEN GEOTEXTILE FABRIC, 1-FT. SUMP, 1-FT. MIN., 2-FT. MAX. AT CENTER, CHANNEL BOTTOM WIDTH, NON-WOVEN GEOTEXTILE FABRIC

TYPICAL DITCH CHECK SECTION

TOP OF BANK, 2-FT. MIN., 12-INCH D50 RIPRAP, 1-INCH D50 WASHED STONE, 2-FT. MAX. AT CENTER, 0.5-FT., 1-FT. MIN., 2-FT. MAX. AT CENTER, CHANNEL BOTTOM WIDTH, NON-WOVEN GEOTEXTILE FABRIC

PLAN SYMBOL

OR

South Carolina Department of Health and Environmental Control
ROCK DITCH CHECK
STANDARD DRAWING NO. SC-04 PAGE 1 of 2
NOT TO SCALE

SILT FENCE INSTALLATION

125 LB./LINEAR FT. STEEL POSTS, FILTER FABRIC, MAXIMUM SPACING = 6 FT., HEAVY DUTY PLASTIC TIE FOR STEEL POSTS, BACKFILL TRENCH WITH COMPACTED EARTH, RUNOFF, USE EITHER FLAT-BOTTOM OR V-BOTTOM TRENCH SHOWN BELOW, BURY FABRIC

FLAT-BOTTOM TRENCH DETAIL

18-IN. TO 24-IN., 8-IN., 4-IN., 18-IN. (MINIMUM), FILTER FABRIC, COMPACTED EARTH, RUNOFF, FILTER FABRIC

V-SHAPED TRENCH DETAIL

18-IN. TO 24-IN., 8-IN., 4-IN., 18-IN. (MINIMUM), FILTER FABRIC, COMPACTED EARTH, RUNOFF, FILTER FABRIC

SILT FENCE DETAIL H
NOT TO SCALE
C05 C06

RIP-RAP OUTLET PROTECTION DETAIL J
NOT TO SCALE
C05 C06

SECTION, FILTER BLANKET, SECTION, PLAN, PIPE OUTLET TO WELL DEFINED CHANNEL

NOTES:

1. L₀ IS THE LENGTH OF THE RIPRAP APRON
2. d = 1.5 X THE MAXIMUM STONE DIAMETER BUT NOT LESS THAN 2"
3. IN A WELL DEFINED CHANNEL EXTEND THE APRON UP THE CHANNEL TO AN ELEV. OF 6" ABOVE THE MAXIMUM TAILWATER DEPTH OR TO THE TOP OF THE BANK, WHICHEVER IS LESS.
4. A FILTER BLANKET OR FILTER FABRIC SHOULD BE INSTALLED BETWEEN THE RIPRAP AND SOIL FOUNDATION.

RIP RAP OUTLET PROTECTION

	POND 1	POND 2
D ₀	24 in.	24 in.
L ₀	14 ft.	14 ft.
d	1.13 ft. min.	1.13 ft. min.
SCDOT CLASS	A	A

FAIRCLOTH SKIMMER DISCHARGE SYSTEM WITH OUTLET STRUCTURE N
C05 C06

WATER ENTRY UNIT WITH TRASH SCREEN, ORIFICE OPENING INSIDE THE HORIZONTAL TUBE WITH A CONSTANT HYDRAULIC HEAD, SCHEDULE 40 PVC PIPE (BARREL OR ARM), EARTHEN EMBANKMENT, EMERGENCY SPILLWAY, MAXIMUM HEIGHT OF FLOAT WHEN NO OTHER STORM WATER DISCHARGE OPENINGS EXIST (MAJOR STORM EVENT), FLEXIBLE HOSE, GRATE, STORM WATER DISCHARGE OPENING, INVERT OF LOWEST STORM WATER DISCHARGE OPENING (MINOR STORM EVENT), PVC VENT PIPE, FLEXIBLE HOSE MUST BE SECURELY FASTENED TO THE WATER QUALITY DISCHARGE OPENING, L = 1.4 X DEPTH TO THE OVERFLOW (MINIMUM LENGTH-APPROX), WATER ENTRY UNIT, OUTLET PIPE, MAINTAIN DEPRESSION TO MINIMIZE CHANCE OF SKIMMER BECOMING STUCK

TOP VIEW, END VIEW, SIDE VIEW (NO SCALE)

DRAWN BY T. R. EVANS 10/10
J. W. FAIRCLOTH & SON, INC.
WWW.FAIRCLOTHSKIMMER.COM
TELEPHONE: (813) 733-1244
FAX: (813) 732-1265
EMAIL: WARREN@FAIRCLOTHSKIMMER.COM

ROCK CHECK DETAIL G
NOT TO SCALE
C05 C06



TOLERANCES—UNLESS NOTED

FRACTIONAL: ± 1/16"
DECIMAL: ± 0.010"
ANGLE: ± 0.1°

NO.	DATE	REVISION	BY
B	8/30/2023	FOR CLIENT REVIEW	JCC
C	8/30/2023	FOR CLIENT REVIEW	CCN
A	6/30/2023	FOR CLIENT REVIEW	BY

THIS DRAWING IN DESIGN AND DETAIL IS THE PROPERTY OF VULCAN MATERIALS COMPANY AND MUST BE RETURNED UPON DEMAND. THIS DRAWING MUST NOT BE COPIED, REPRODUCED, OR USED WITHOUT PERMISSION.



EROSION AND SEDIMENT CONTROL DETAILS

DESIGNED BY	CHECKED BY	DATE	SCALE	SHEET NO.	TOTAL SHEETS
C. NEWELL	B. GREEN	6/30/2023	N.T.S.	6 OF 8	8

PROJECT: ORANGEBURG LIMESTONE QUARRY
PRJ. NO.: 00.5872.00
DATE: 6/30/2023
SCALE: N.T.S.
SHEET 6 OF 8